



# 8" Single Handle Pull-out Kitchen Faucet PRO4300

## FEATURES:

- Fits 8" Center Holes
- Solid brass & copper waterways
- Ceramic Disc Cartridge
- 1/2" 14 NPS Inlet
- Metal Loop handle
- With pull-out spray
- Water saving aerator
- Max flow rate: 2.2GPM at 60PSI
- Polished chrome finish
- 100% factory pressure tested before shipment



## APPLICABLE STANDARDS/CODES:

Specified model meets or exceeds the following:

- ANSI/ASME A112.18.1
- CSA B125
- ANSI/NSF 61 – Sec. 9
- IAPMO/UPC

## AVAILABLE FINISHES:

- CP = Polished Chrome

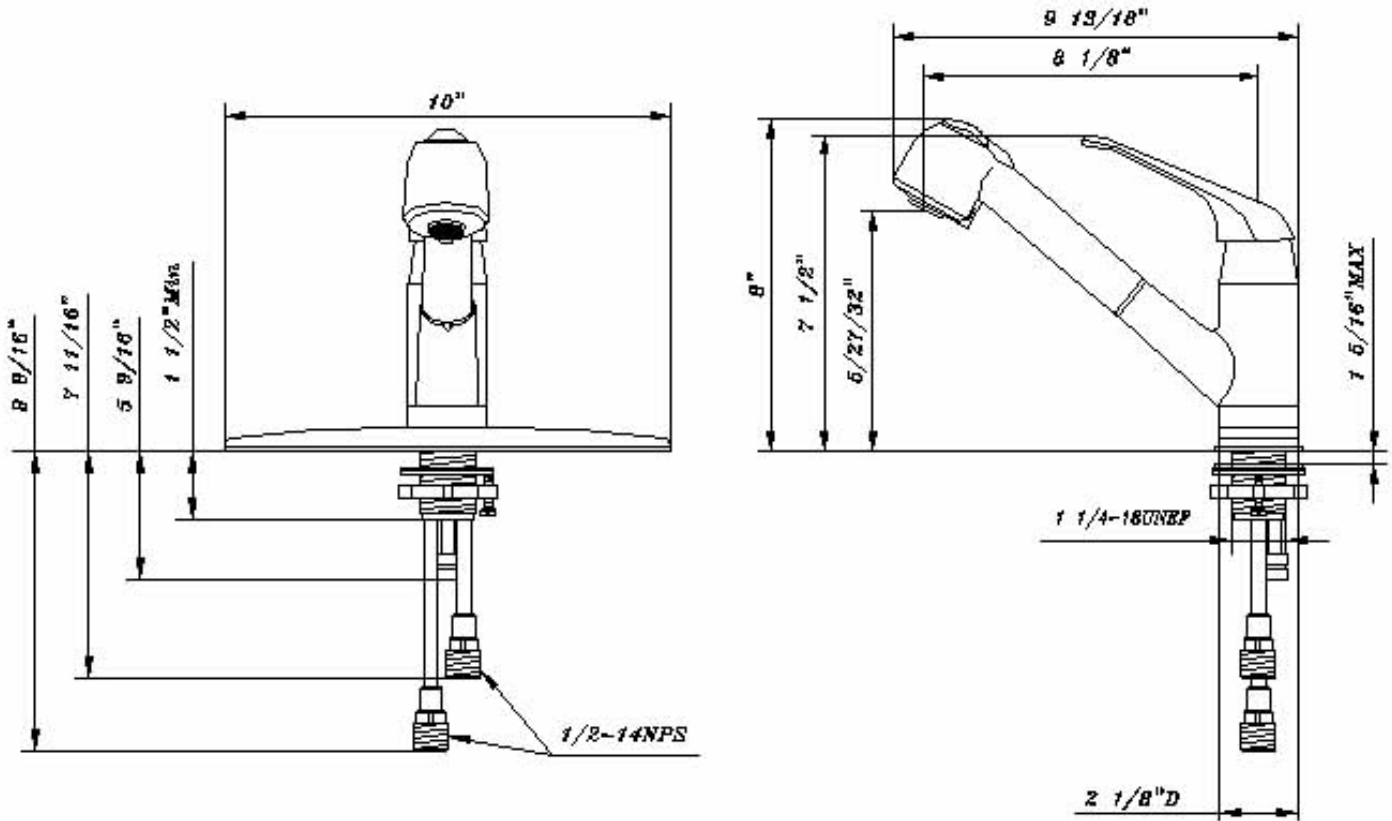
## SPECIFIED MODEL:

Model	Description	Finish
PRO4300	8"single handle pull out kitchen Faucet,	CP



# PRO4300

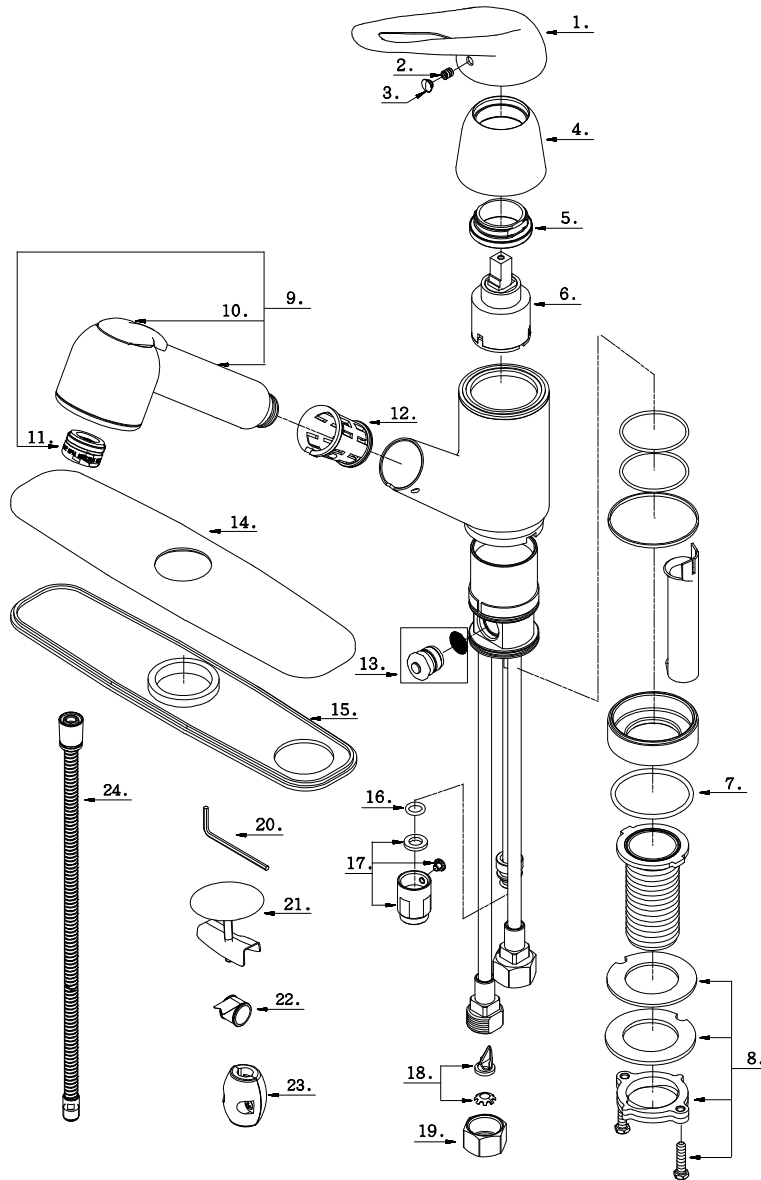
## PRODUCT SPECIFICATION DIAGRAM





PRO4300

EXPLODED DRAWING





**PRO4300**

**PARTS LISTING**

No.	Part Name	Part No.
1⊙.	Metal Handle	A069019
2	Screw (M5 * 6 mm L)	A008103
3	Index Button-Cold/Hot	A028065
4⊙.	Trim Cap	A103037
5	Locking Nut	A104008
6	Ceramic Disc Cartridge	A507348N
7	O-Ring (Φ1-3/4" ID * Φ1-15/16" OD)	A004045
8	Mounting Hardware	A663042
9⊙.	Hand Spray w/Check Valve	A523036N
10	Hand Spray Button	A036015
11⊙.	Aerator	A500841N-50
12	Hose Guide	A126003KP
13	Vacuum Breaker	A663503N
14⊙.	Cover Plate	A007045
15	Putty Plate	A011037
16	O-Ring(Φ5/16" ID * Φ1/2" OD)	A004031N
17	Hose Adaptor Assembly	A603662N
18	Back Flow Prevention Device	A603661N
19	Coupling Nut	A009016
20	Hex Wrench(H2.5 * 19 mm L * 53 mm L)	A031000
21	Sink Hole Cover	A504091
22	Pipe Tape	A203000
23	Weight	A504713
24⊙.	Spray Hose	A511004N