



4" Single Handle Lavatory Faucet PRO1100 PRO1100BN

FEATURES:

- Solid brass waterways
- Fits 4" center holes
- Ceramic Disc Valve
- ½" 14 NPS Inlet
- Metal Lever handle
- With Brass pop-up
- 100% ISO9001 certified factory pressure tested before shipment
- Meets product compliance of less than or equal to 0.25% maximum weighted average lead content



APPLICABLE STANDARDS/CODES:

Specified model meets or exceeds the following:

- ANSI/ASME A112.18.1
- CSA B125
- ANSI/NSF 61 – Sec. 9
- IAPMO/UPC
- ADA

AVAILABLE FINISHES:

- CP = Polished Chrome
- BN = Brushed Nickel

SPECIFIED MODEL:

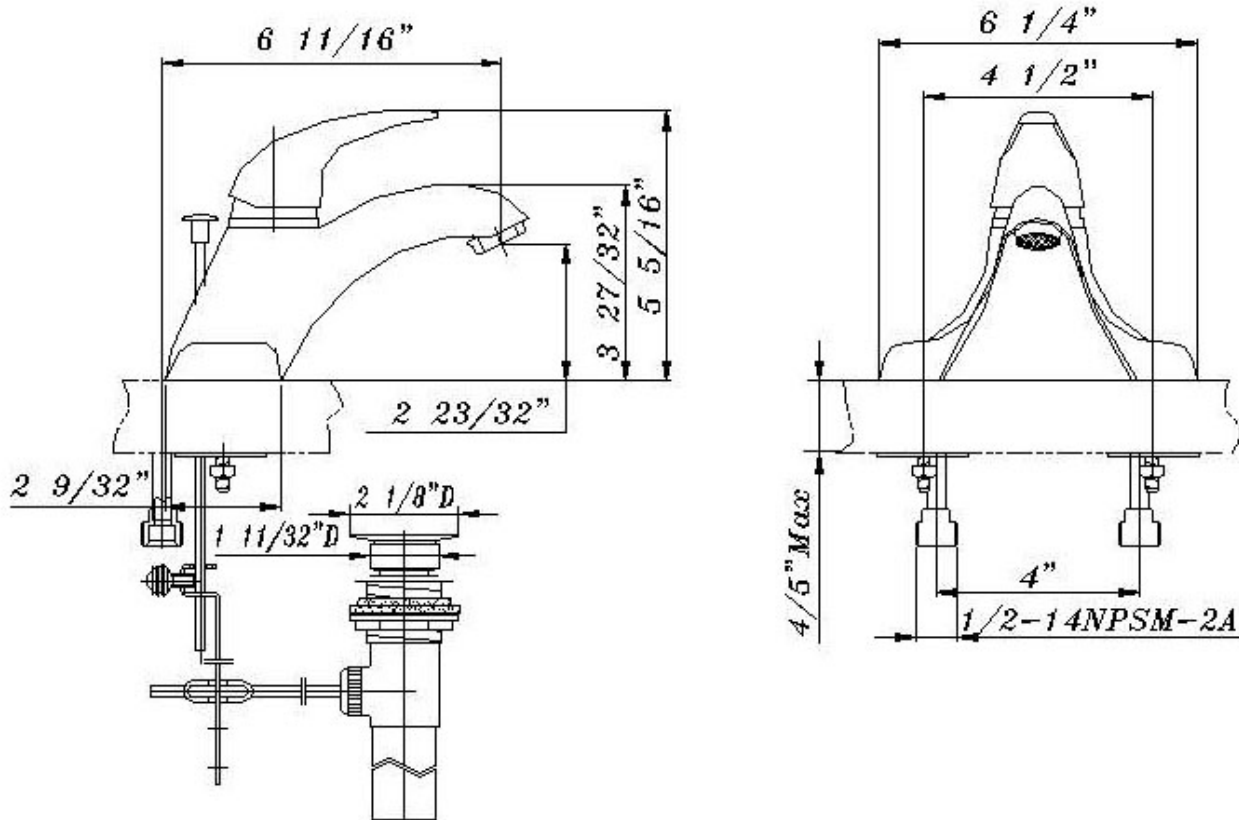
Model	Description	Finish
PRO1100	4" single handle lavatory Faucet.	CP
PRO1100BN	4" single handle lavatory Faucet.	NP



TM

PRO1100 PRO1100BN

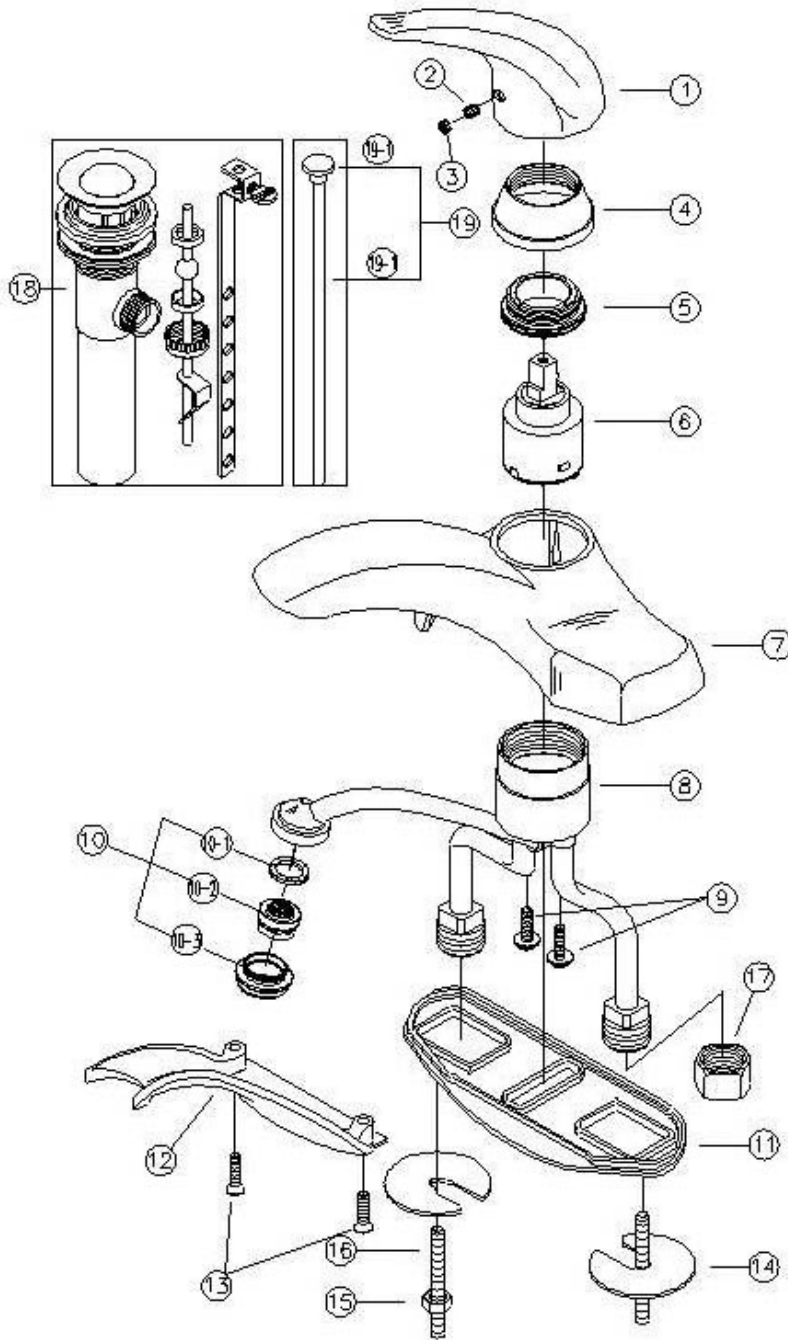
PRODUCT SPECIFICATION DIAGRAM





PRO1100 PRO1100BN

EXPLODED DRAWING





PRO1100 PRO1100BN

PARTS LISTING

NO.	NAME	PART NO.	MATERIAL	QUANTITY
1	handle	029072CP/BN	Zinc	1
2	handle set screw	008003	SUS302	1
3	red/blue insert	028065	Silica Gel	1
4	cap	103021CP/BN	Zinc	1
5	adjusting ring	104002	Brass	1
6	ceramic cartridge	507348N		1
7	cover plate	007038CP/BN	Zinc	1
8	body assembly	005006N		1
9	screw	008043	SUS302	2
10	aerator	500219NCP/BN		1
11	black pad	011048	PP	1
12	bottom plate	223009	Zinc	1
13	bottom plate screw	008092	SUS304	2
14	washer	013001	Q235-A	2
15	coupling nut	009004	Q235	2
16	screw stem	017000	Stainless	2
17	lock nut	009016	Brass	2
18	pop-up assembly	556111		1
19	lift rod assembly	025011		1
19-1	lift rod knob	124010	Brass	1
19-2	lift rod	125028	Brass	1