



4" Double Handle Lavatory Faucet

PRO2200 PRO2200BN

FEATURES:

- Solid brass waterways
- Fits 4" center holes
- Ceramic Disc Cartridge
- ½" 14 NPS Inlet
- Metal level handle
- With Brass pop-up
- 100% ISO9001 certified factory pressure tested before shipment.
- Meets product compliance of less than or equal to 0.25% maximum weighted average lead content



APPLICABLE STANDARDS/CODES:

Specified model meets or exceeds the following:

- ANSI/ASME A112.18.1
- CSA B125
- ANSI/NSF 61 – Sec. 9
- IAPMO/UPC

AVAILABLE FINISHES:

- CP = Polished Chrome
- BN = Brushed Nickel

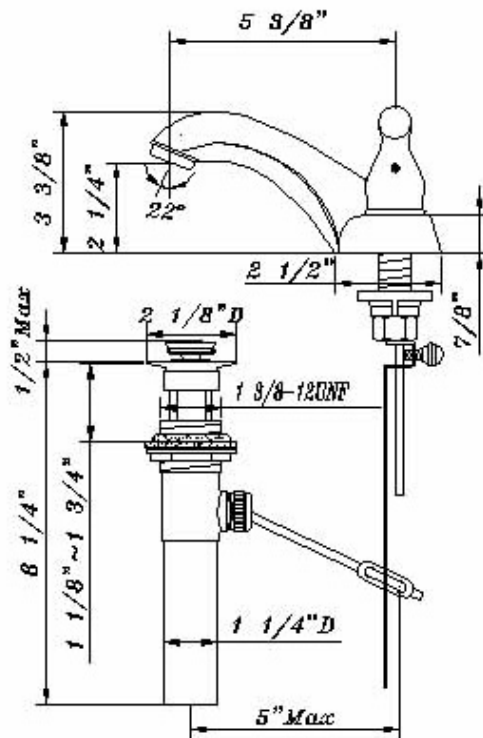
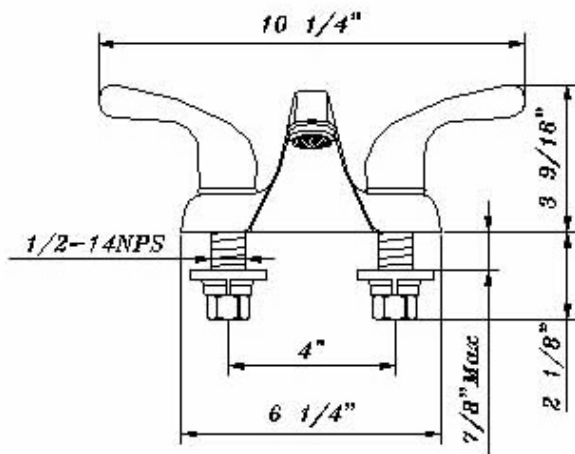
SPECIFIED MODEL:

Model	Description	Finish
PRO2200	4"double handle lavatory Faucet,	CP
PRO2200BN	4"double handle lavatory Faucet,	BN



PRO2200 PRO2200BN

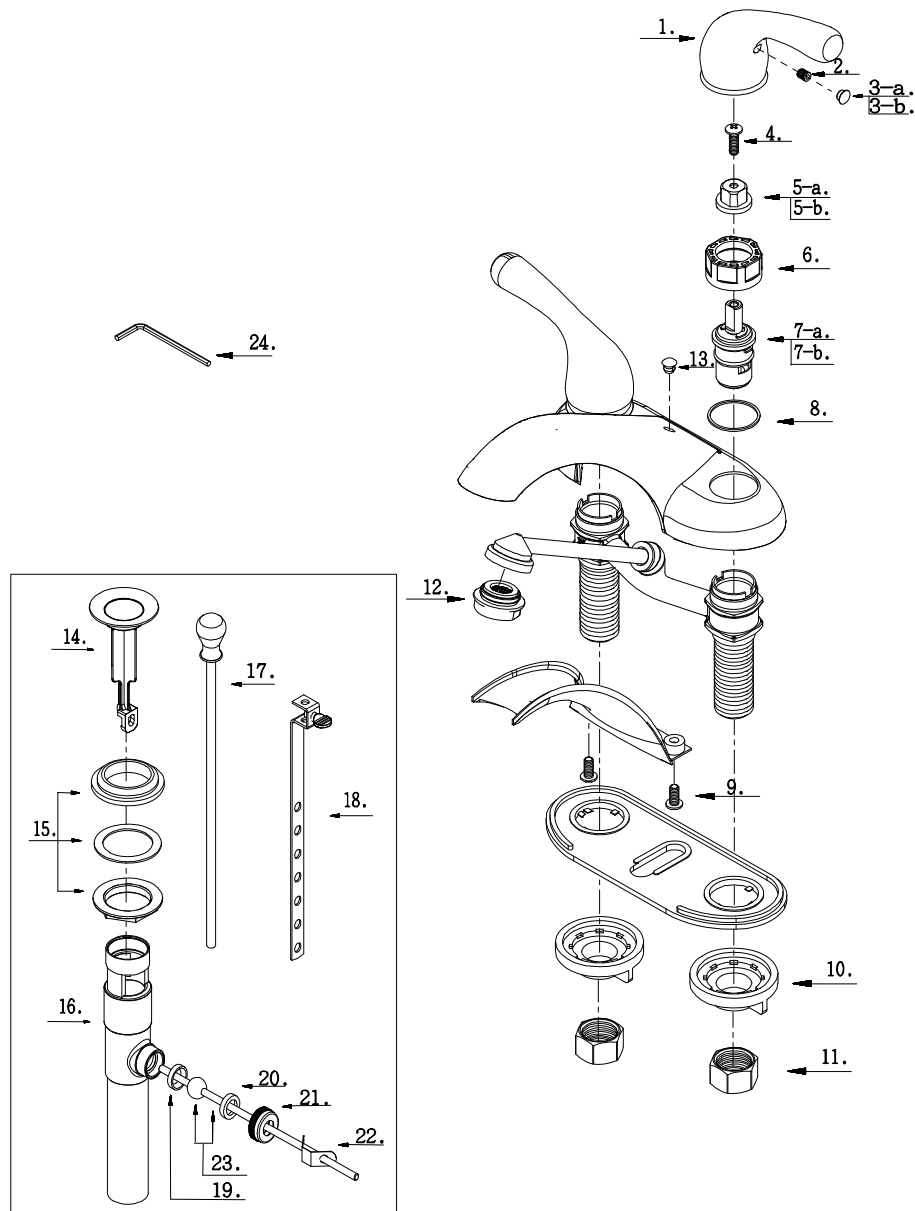
PRODUCT SPECIFICATION DIAGRAM





PRO2200 PRO2200BN

EXPLODED DRAWING





PRO2200 PRO2200BN

PARTS LISTING

A	NO.	Part Name.	Part No.
	1a.	Metal handle	A029032
	2	Screw(M5 * 6 mm L)	A008103
	3-a	Index Button-Cold	A028046C
	3-b	Index Button-Hot	A028046H
	4a.	Screw(3/16" -24 * 9/16" L)	A008044
	5-a	Handle Adaptor-Cold	A110114C
	5-b	Handle Adaptor-Hot	A110114H
	6	Retainer Nut	A016003
	7-a	Ceramic Disc Cartridge -Cold	A507102N
	7-b	Ceramic Disc Cartridge -Hot	A507101N
	8	Washer	A200002
	9a.	Screw(3/16" -24 * 7/16" L)	A008083
	10	Lock Nut	A009007
	11	Coupling Nut	A009016
	12a.	Aerator	A500219N
	13a.	Lift Rod Plug	A028002
	14a.	Pop-up Plunger Assembly	A663121
	15	Washer & Nut	A663122
	16	Pop-up Body	A605222
	17a.	Lift Rod	A025015
	18	Lift Rod Strap	A663521
	19	Washer (Inner)	A200109
	20	Washer (Outer)	A200009
	21	Ball Nut	A009063
	22	Spring Clip	A120030
	23	Ball Rod(6-5/16"L)	A026004
	24	Hex Wrench(H2.5 * 19 mm L * 53 mm L)	A031000