



Single Handle Tub And Shower Trim

FEATURES:

- *Metal Lever Handle*
- *Easy Clean Showerhead With Gray Jets*
- *Brass Shower Arm & Flange*
- *Slip-Fit Tub Spout*
- *Max Flow Rate: 2.5 GPM @ 60 PSI*
- *100% Factory Tested*
- *For Use With Valve#410-CP-CD*



APPLICABLE STANDARDS/CODES:

Specified model meets or exceeds the following:

- *ANSI/ASME A112.18.1*
- *CSA B125*
- *IAPMO/UPC*
- *ADA*

AVAILABLE FINISHES:

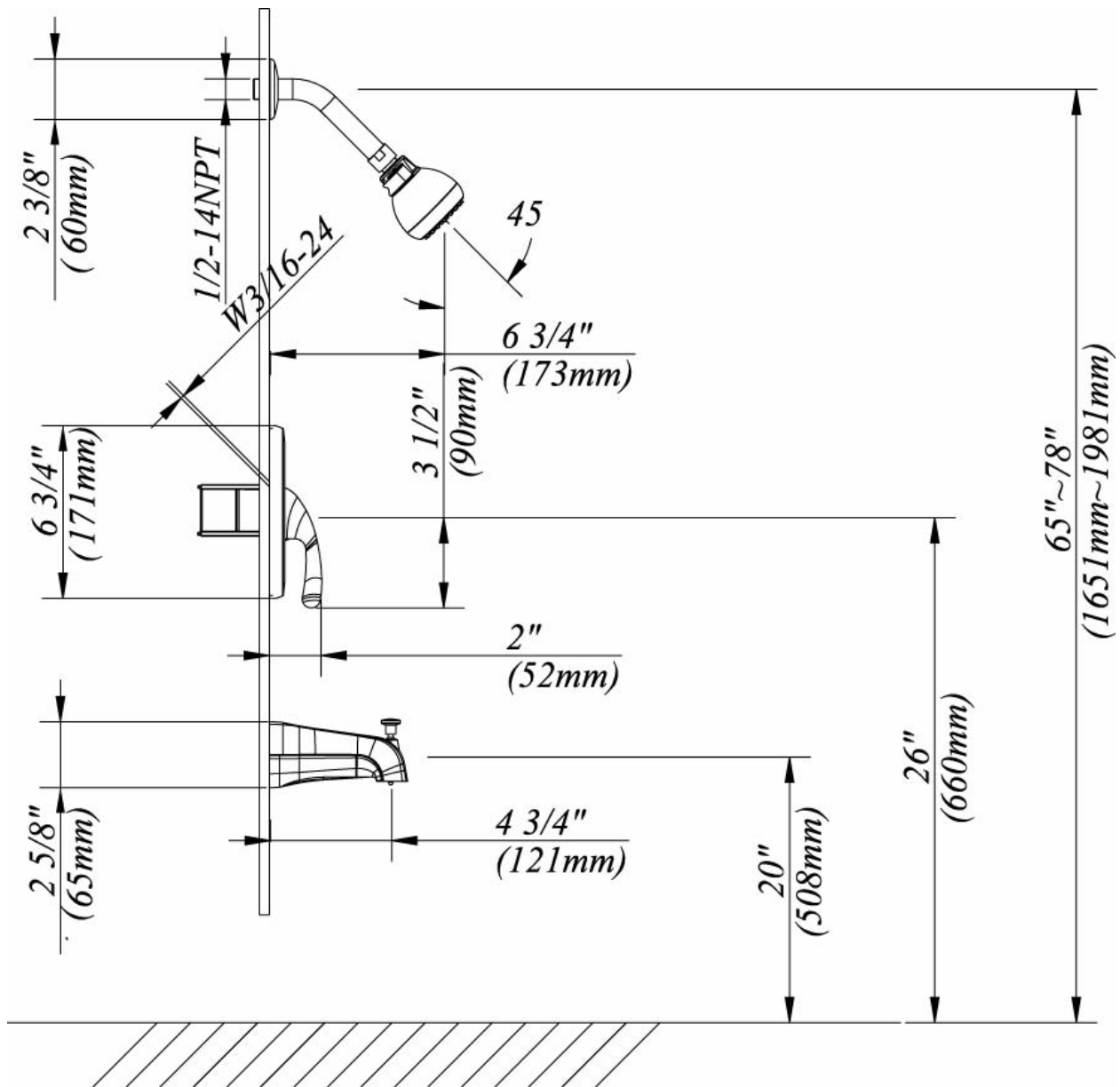
- *CP=Polished Chrome*
- *BN=Brushed Nickel*

SPECIFIED MODEL:

Model	Description	Finish
PRO5400	Single handle tub and shower trim only	CP
PRO5400BN	Single handle tub and shower trim only	BN



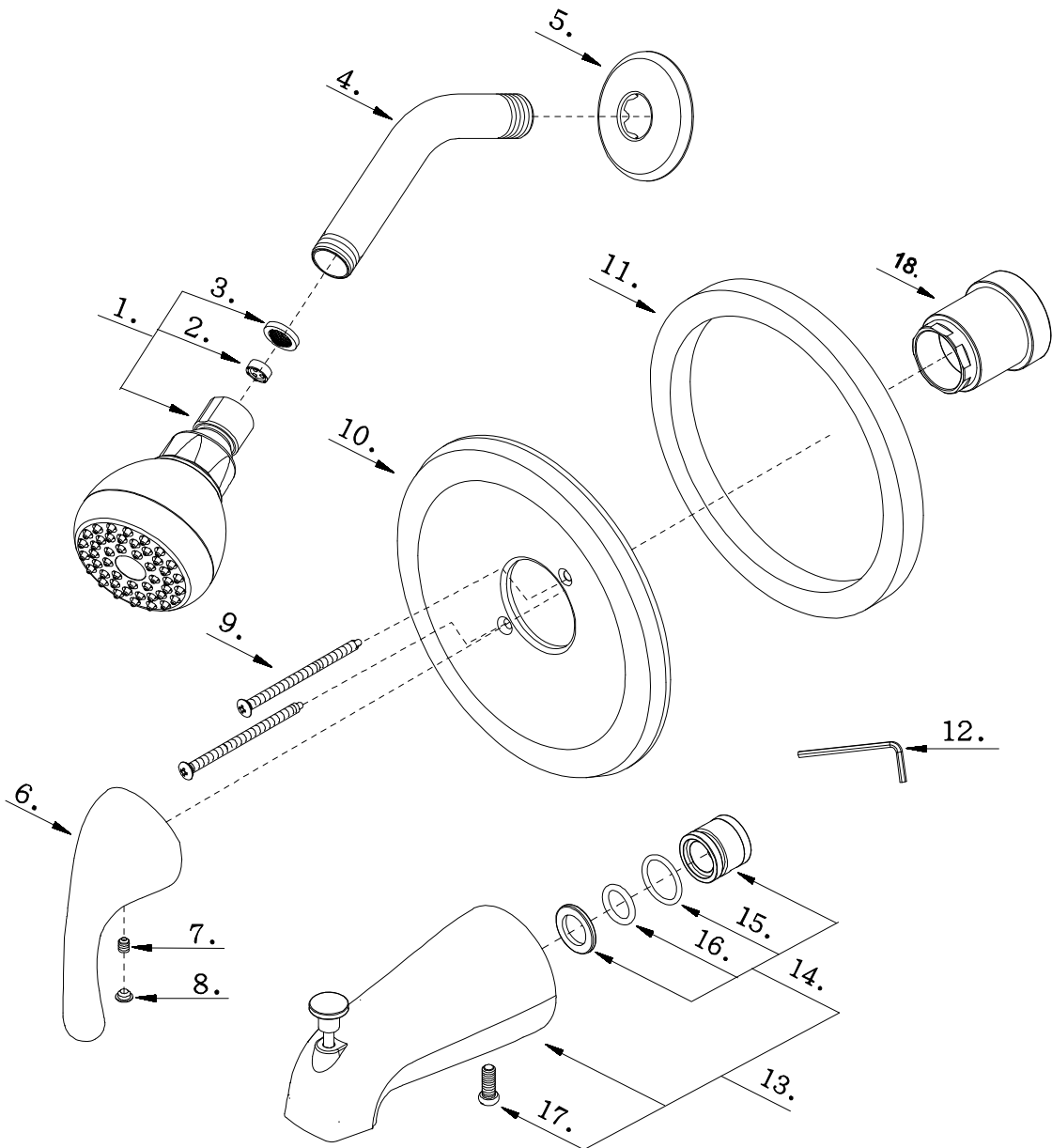
PRODUCT SPECIFICATION DIAGRAM





TM

EXPLODED DRAWING





PARTS LISTING

No.	Part Name	Part No.
1	Shower Head	S1211202
2	Flow Restrictor	A112727
3	Screen Washer	A022028
4	Shower Arm	A020901
5	Shower Arm Flange	A019001
6	Metal Handle	A029046
7	Screw (M5 * 6 mm L)	A008088
8	Index Button-Hot/Cold	A028065
9	Screw (3/16" -24 * 3" L)	A075212
10	Escutcheon	A006004-55-S
11	Escutcheon Seal	A060055
12	Hex Wrench (H2.5 * 19 mm L * 53 mm L)	A031000
13	Spout W/Diverter	A118011
14	Spout Sleeve Assembly	A603972
15	O-Ring (Φ 13/16" ID * Φ 1" OD)	A004518
16	O-Ring (Φ 9/16" ID * Φ 13/16" OD)	A004517
17	Screw(1/4" -20 UNC * 13/16" L)	A065081ZN
18	Sleeve	A041509